

CABLE 297 RF: RF CABLE ASSEMBLY, HIROSE U.FL + SMA FEMALE BULKHEAD WITH ORING + MULTIPLE CABLE SIZES, 6GHz

SPECIFICATIONS

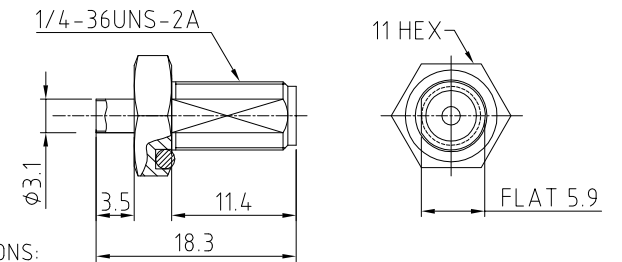
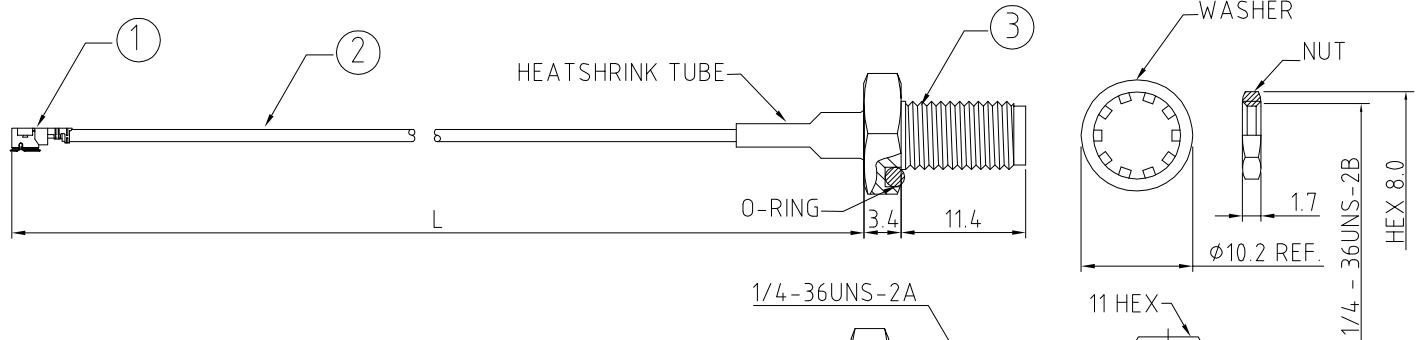
- HIROSE U.FL PLUG, P/N:  
FOR  $\phi 1.37\text{MM}$  CABLE: U.FL-LP-088.  
FOR  $\phi 1.13\text{MM}$  CABLE: U.FL-LP-068.
- COAXIAL CABLE, SEE P/N OPTION FOR DETAIL.
- SMA STRAIGHT BULKHEAD JACK WITH O-RING, GOLD. P/N:  
FOR  $\phi 1.37\text{MM}$  CABLE: RFCT-SMA041-F37.  
FOR  $\phi 1.13\text{MM}$  CABLE: RFCT-SMA032-F13.

USAGE PRECAUTIONS: CABLES USING 'MICRO' COAX ARE DELICATE:

- HANDLE WITH CARE.
- DO NOT TWIST; APPLY EXCESSIVE FORCES OR SHARP BENDS TO THE CABLE. DO NOT FORCEFULLY DEFORM WIRES.
- CONSULT CONNECTOR MANUFACTURER'S DATASHEETS FOR DETAILED NOTES ON HANDLING INSTRUCTIONS.

NOTES:

- THE ORIENTATION OF CONNECTORS ON DRAWING IS FOR REFERENCE ONLY, IF THE ORDER IS LEFT BLANK THE CONNECTOR WILL NOT HAVE FIXED ORIENTATION.
- FIXED ORIENTATION IS SUGGESTED FOR CABLE LENGTH 31MM TO 100MM. PLEASE SPECIFY THE FIXED ORIENTATIONS FROM THE ORDER CODE (F1, F2, ETC)
- CONTACT GRAD CONN IF THE ORIENTATION YOU REQUIRE IS NOT SHOWN.
- WORKING FREQUENCY RANGE: DC-6GHz
- OPERATING TEMPERATURE:  $-40^{\circ}\text{C}$  TO  $+80^{\circ}\text{C}$
- IMPEDANCE: 50 OHM



HOW TO ORDER  
CABLE 297 RF - X X X - X X - X - X - X

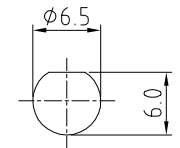
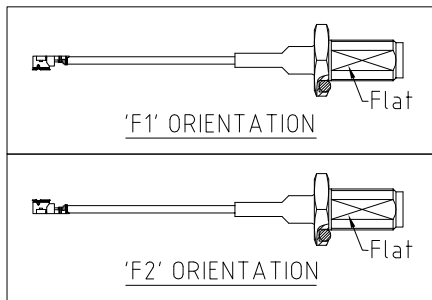
"L" LENGTH IN MM  
eg: 100MM = 0100  
(MIN. 031-MAX.400)  
STANDARD = 100, 150, 200  
Tolerance: <50mm :  $\pm 2\text{mm}$ .  
51-200mm:  $\pm 5\text{mm}$ .  
201-400mm:  $\pm 7\text{mm}$ .

HEATSHRINK TUBE COLOR OPTIONS:  
BLANK = BLACK (STANDARD)  
B = BLUE

CABLE SIZE OPTIONS:  
1 =  $\phi 1.37\text{MM}$  CABLE, COLOR: BLACK.  
2 =  $\phi 1.13\text{MM}$  CABLE, COLOR: GRAY.

WASHER AND NUT OPTIONS:  
BLANK = SEPERATELY PACKED (STANDARD)  
A = ASSEMBLED WITH CONNECTOR

ORIENTATION OPTIONS:  
BLANK = DOES NOT HAVE A FIXED ORIENTATION  
F1 = U.FL CONNECTION DOWN (L=31-220MM)  
F2 = U.FL CONNECTION UP (L=31-220MM)  
(SEE NOTES 1, 2, 3 AND DIAGRAMS FOR MORE INFORMATION)



REV. DATE & DRN  
10 18/02/17 - NYW RELEASE  
11 21/08/19 - NYW  
ADD TUBE COLOR OPTIONS.  
12 21/04/22 - NYW  
ADD CABLE SIZE OPTION 2.

Scale: NTS	THIRD ANGLE	Unstated X .XX .XXX ANGLES	Tolerances: N/A N/A N/A N/A	Material SEE NOTE
Drawn: NYW				
App'd: XXX	Title: CABLE ASSEMBLY	NOT TO SCALE		
Date: 21 APR '22	Revision: 1.2	Unit: mm		



www.gradconn.com

THIS DRAWING IS CONFIDENTIAL AND MUST NOT BE COPIED OR DISCLOSED WITHOUT WRITTEN CONSENT

Type: Cable 297 RF
CABLE 297 RF
Drawing Number:
Sheet 1 of 1
Drawing © E and O E